

# i-swim2 Pool lift

Art. nr. 1814029



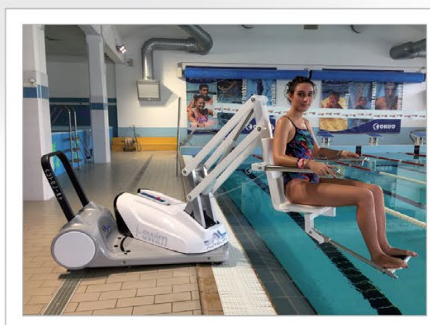
# i-swim2

Standard - Maxi - SPA

## Push your boundaries



Suitable for every kind of swimming pool deck



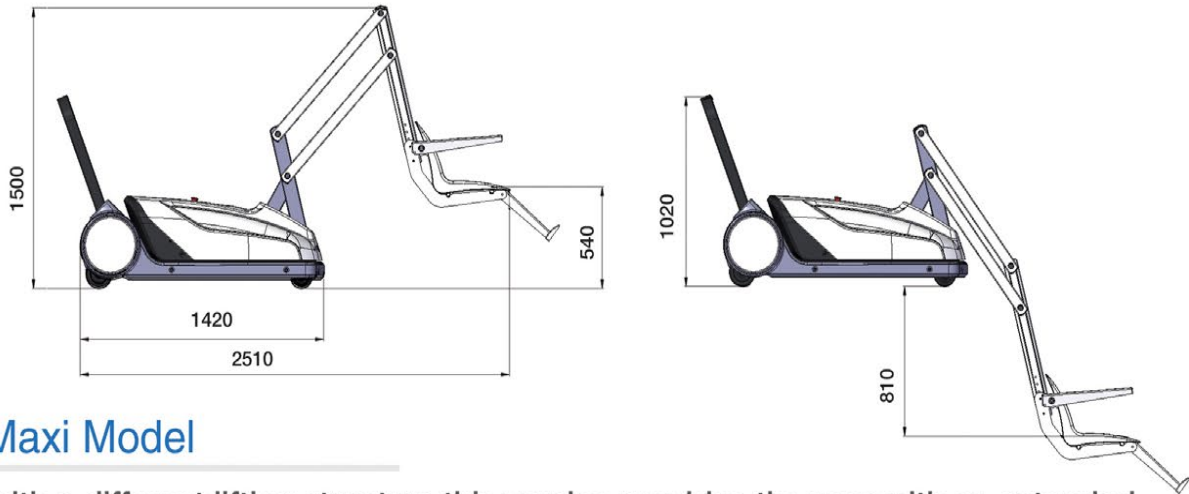
Turning seat for independent swimming pool access

*Selected When it Counts*

# i-swim2 enables independent swimming pool access.

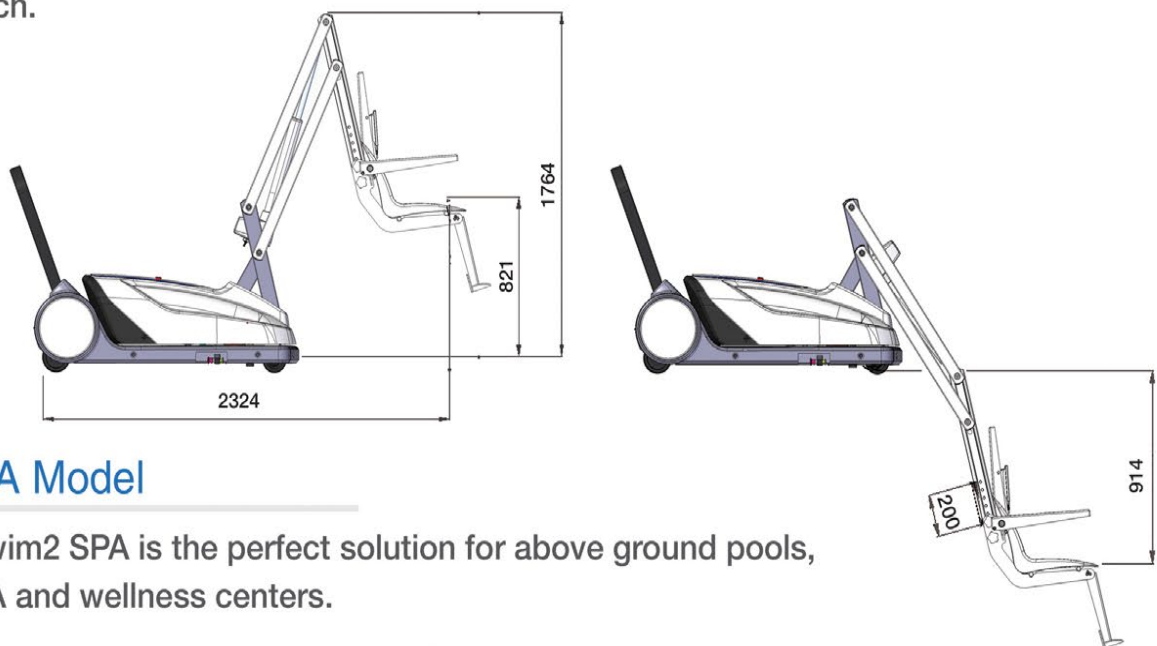
## Standard Model

i-swim2 is used in case of in-ground pools with / or without small curbs.



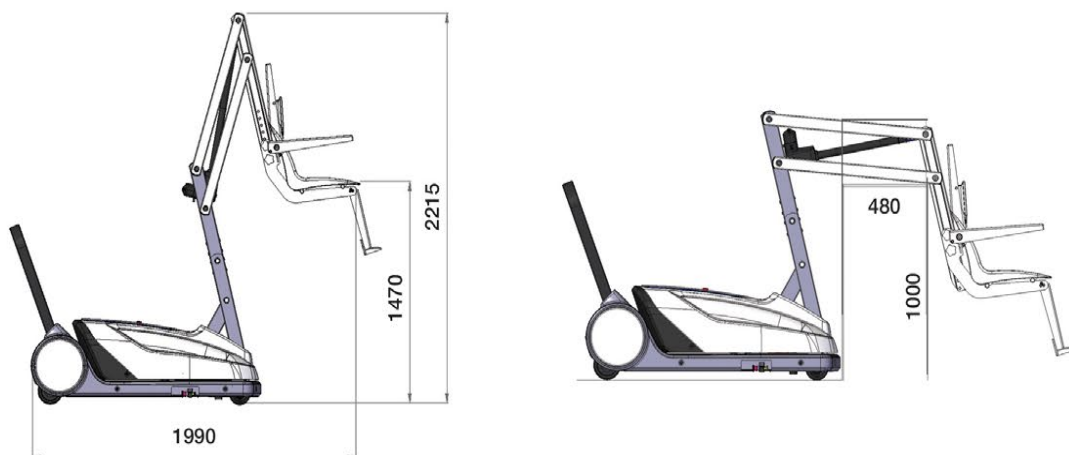
## Maxi Model

with a different lifting structure this version provides the user with an extended reach.



## SPA Model

i-swim2 SPA is the perfect solution for above ground pools, SPA and wellness centers.



*Selected When it Counts*

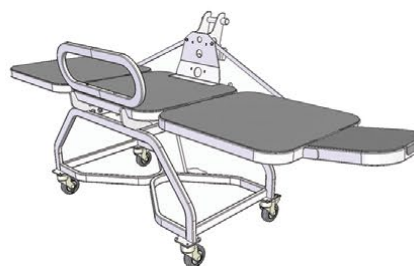
## Water access

In addition with the choosen lift model, the customer can order separately a mobile seat or stretcher. Thereby the same lift can be quickly configured for different needs.

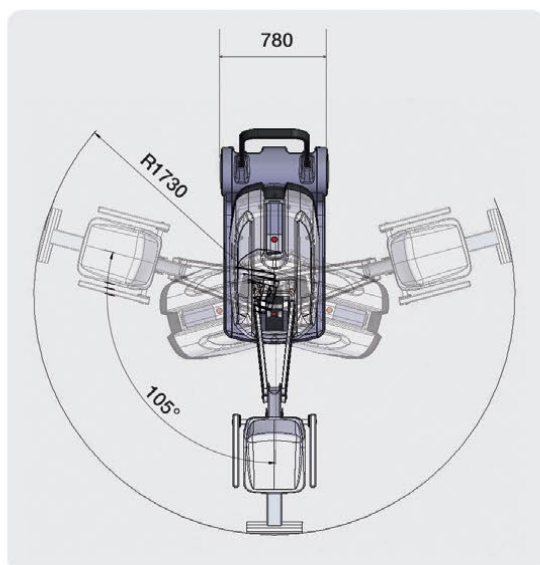
MOBILE SEAT



STRETCHER



LIFT DIMENSION



TECHNICAL FEATURES

Structure Materials	Aluminum / Stainless Steel
Nr of Wheels	4 (2 with brake)
Lifting structure	Parallelogram
Painting	Powder Coating
Lifting Capacity	136 kg (120 kg Maxi model)
Own Weight	ca. 300 kg
Voltage	24V
Battery datas	Range 50 cycles with charge indicator
Battery Charger	Included
Instruments	Pendant remote control Emergency Stop Button on the battery

i-swim2 complies the following regulations:

Directive 2006/42/CE  
Directive 2004/108/EC  
UNI EN ISO 10535  
93/42/CEE

Machine Directive  
EMC Electromagnetic Compatibility  
Hoist For The Transfer of Disabled Persons  
Medical Device Directive

*Selected When it Counts*