



## Starting Block Malmsten Classic with Track Start

Art. No. 2011033

Classic is our traditional model, which suits a narrow pool edge.

The internationally renowned Malmsten Starting Block is used all over the world and is truly appreciated by not only swimmers but also coaches. It is easy to climb up on, offers an effective anti-slip surface and is accessible from the sides.

The starting block is made in accordance with EN-standards and FINA norms for starting blocks, as long as these guidelines for pool depth, pool edge and safety are being followed and installation instructions are respected.

### Features:

- Stable with effective anti-slip surface
- Stainless steel 316L – protective anti-corrosion paint
- Complete with Track Start
- Can be combined with an Open Face Platform



### Colors and Dimensions

**Standard Height:** 400mm

Alternative heights can be ordered, 350 or 300mm

**Top Dimensions:** 500x700mm

**Color:** Blue (standard)

Alternate colors can be ordered (at additional cost)



*Selected When it Counts*

**Starting Block including top and base**

- Height is usually 400mm. Alternatives can nevertheless be ordered, 350 or 300mm.
- Suitable for elevated pool edge or Open Face Platform, art. No. 2011004\*
- Suitable for pool edge of 300-550mm. For pool edge wider than 550mm, Starting Block Malmsten PRO with Track Start, art. No. 2011003 is recommended
- Starting blocks are numbered 0-9 on all sides; please confirm preferred number(s) when ordering

**Top**

- The top measures 500x700mm; effective anti-slip surface is included
- The anti-slip surface is usually blue, but can be ordered in an alternative color (at an extra charge)
- Relay judging plate can be installed; max surface is 450x480mm

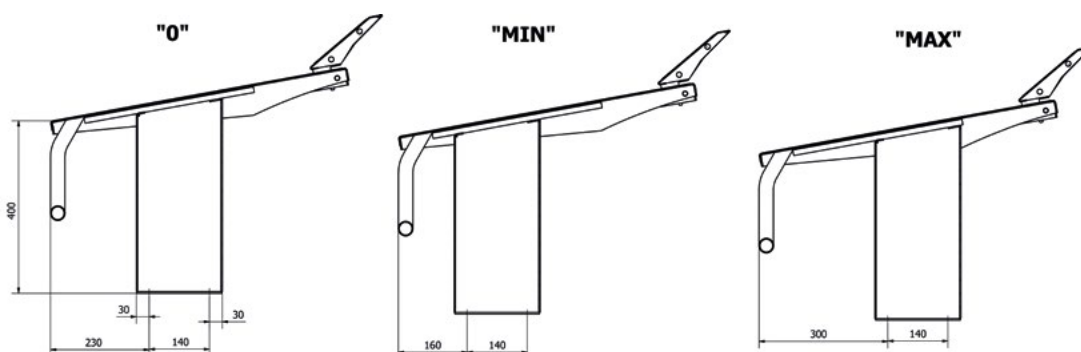
**Track Start**

- With six different positions

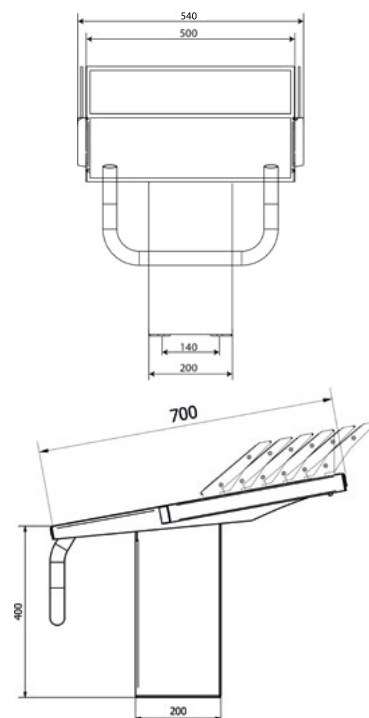
**Base**

- Has an opening where electronic equipment may be placed which can be used during competition
- If the base is placed on a tiled pool edge a protective plate is recommended, art. No. 2018007. Free of charge

\* sold separately



The top can be adjusted to fit the pool edge

**Track Start**

- |                   |                   |
|-------------------|-------------------|
| Position 1: 360mm | Position 4: 510mm |
| Position 2: 410mm | Position 5: 560mm |
| Position 3: 460mm | Position 6: 610mm |

**Accessories Sold Separately****1910054** Backstroke Starting Device**2011004** Open Face Platform**2018010** Maintenance Kit for Stainless Steel