

Tall Stand for Starting Block PRO

Art. No. 2011040

A solution from Malmsten for starting blocks in different heights which provides good stability and functionality. Tall Stand for Starting Block PRO combined with Starting Block Malmsten PRO offers a nicely designed tall starting block. The perfect solution when taller custom heights are required for your pool.

Available combinations to fit more pool installations:

Tall Stand with Starting Block PRO 400 mm (standard) will measure 700 mm above pool deck.

Tall Stand with Starting Block PRO 350 mm will measure 650 mm above pool deck.

Tall Stand with Starting Block PRO 300 mm will measure 600 mm above pool deck.

The tall stand is designed to fit the Starting Block PRO, with the same ergonomic look.

It is manufactured from the same stainless steel thickness and quality with an anti-corrosion powder coating paint. For ease of stepping onto the starting platform the tall stand is equipped with a step on one side of the starting block. The surface of the step has the same great anti-slip surface as the top of the starting block.

The tall stand is equipped with an access gap on the back for installation of timing equipment.

Advantages:

- Ergonomic and sporty design
- Tall starting block when combined with Starting Block PRO
- Excellent anti-slip surface
- Stainless steel 316L with protective anti-corrosion powder coating paint

Product Information

Material: Stainless Steel 316L- protective anti-corrosion, powder coating paint

Height of stand: 300 mm

Stand Width: 336 mm

Stand width with step: 545 mm

Size of step: 200 x 336 mm

Weight: 14,5 kg

Color of anti-slip on step: Blue (standard, Traffic Blue RAL 5017)

Alternate colors can be ordered (at additional cost). Tile Red (RAL 3020), Arabian Yellow (RAL), Dark Gray (RAL 7015), Forest Green (RAL 6010), Traffic Purple (RAL 4006), Sunset Purple (RAL 4005), Mid Gray (RAL 7045), Black (RAL 9005).

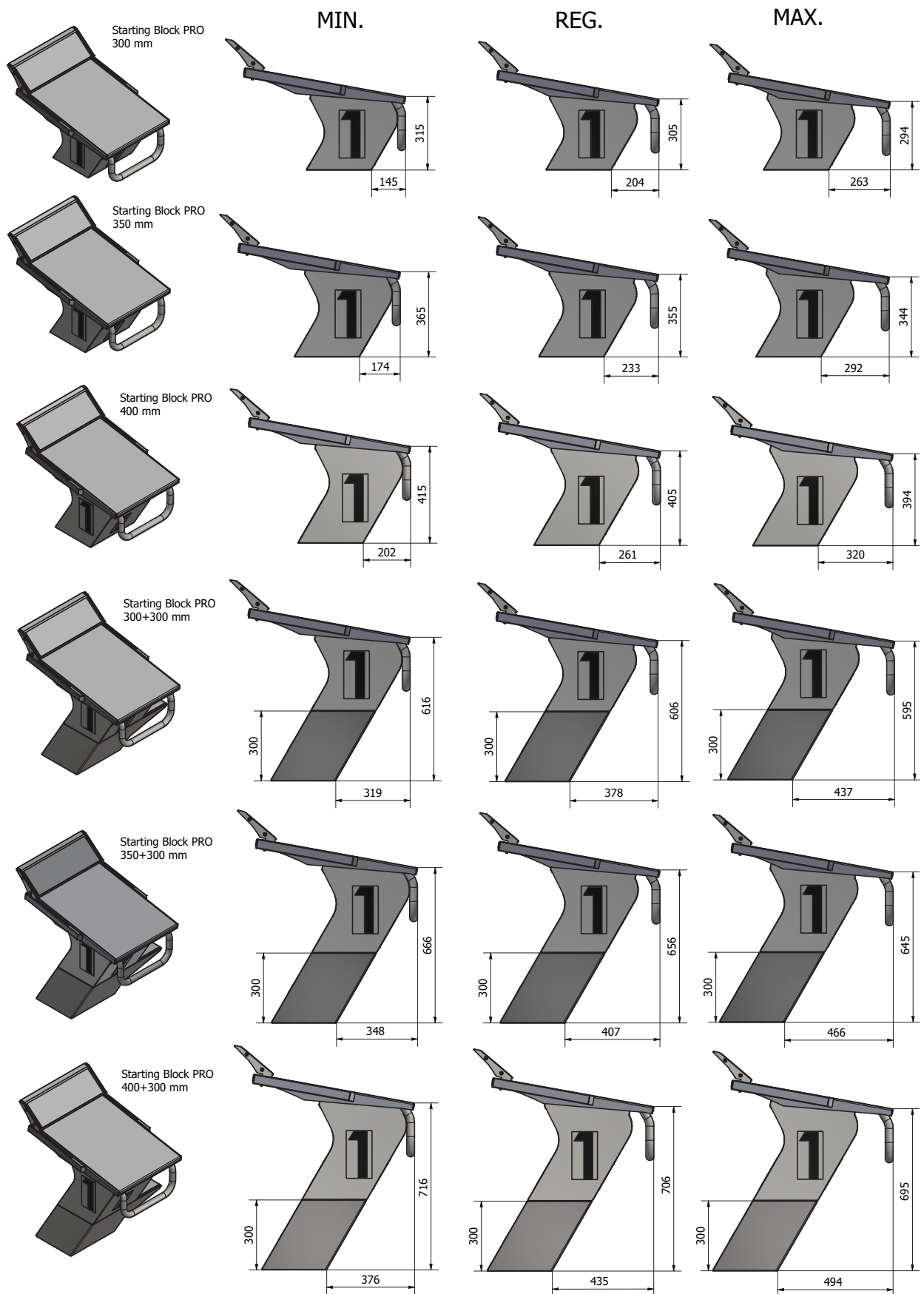
Color of stand is white

Please Note: Required purchase of Starting Block Malmsten PRO with or without track start (sold separately).

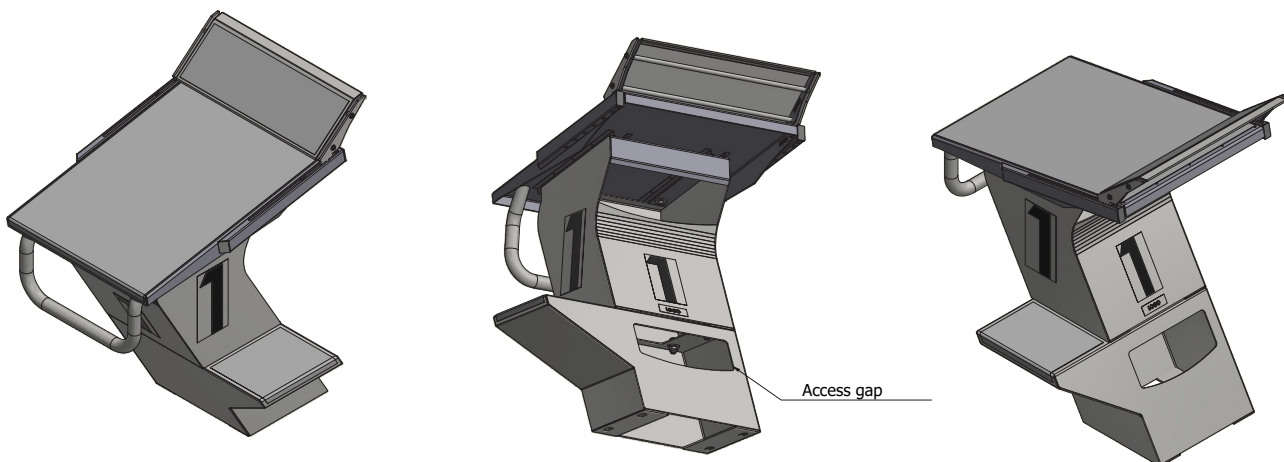
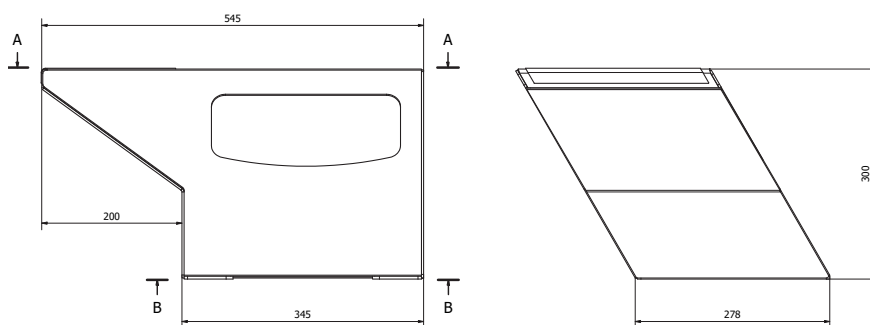
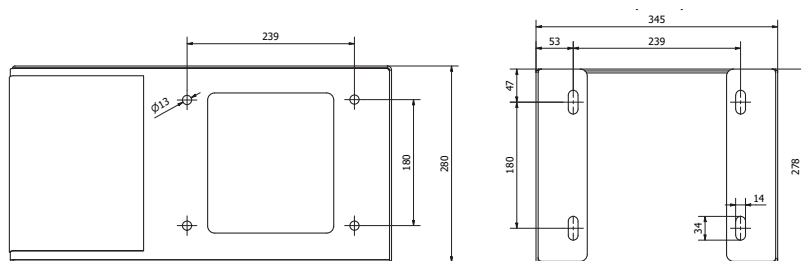
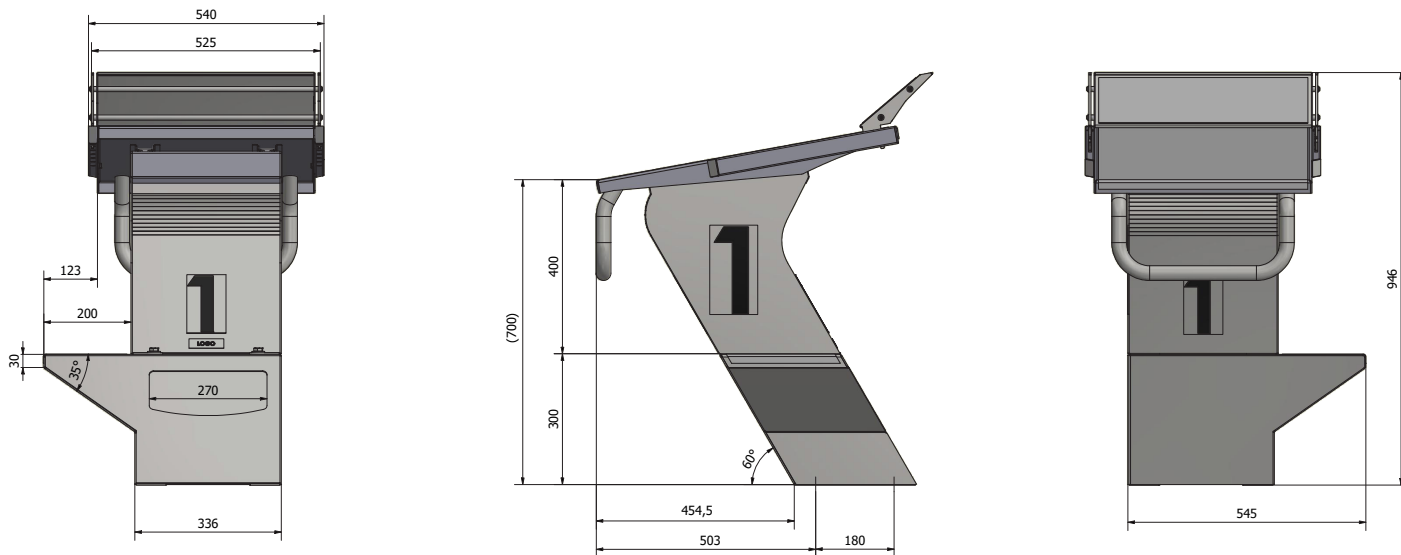
Sold per unit, base only.

Selected When it Counts

Examples of Starting Block Positioning



Selected When it Counts



Selected When it Counts